

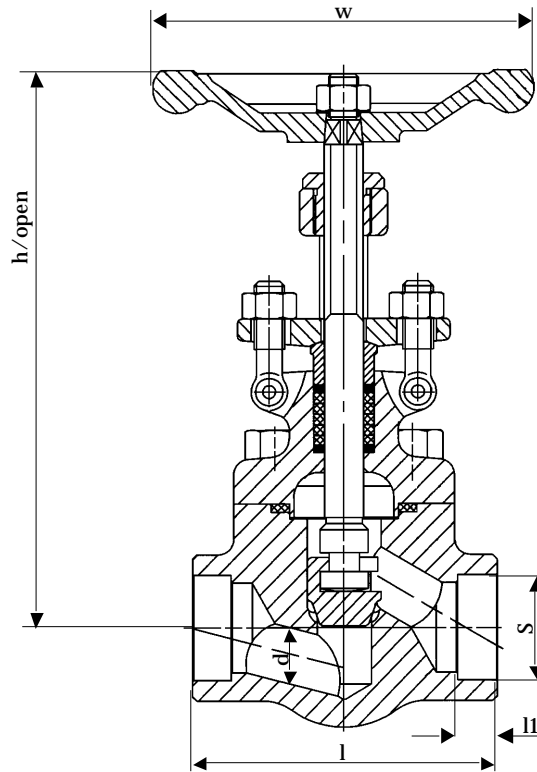
**Fig.148**

**ANSI-Absperrventil  
aus A105N  
DN 15 - 65 800 lbs**

**ANSI-Globe valve  
in A105N  
Size 1/2" - 2 1/2" 800 lbs**



02/2007



Andere Materialien auf Anfrage.  
Other materials on request.

Änderungen vorbehalten !  
Subject to change !

Applicable Standards
- Design and Manufacture: API 602
- Face to Face: Manufacturer's Standard
- Socket Welding Ends: ASME/ANSI B16.11
- Pressure Temperature Rating: ASME/ANSI 16.34
- Pressure Test: API 598

Benennung	Designation	Material
Gehäuse	body	A105N
Kegel	plug	13% Cr
Bügel	bonnet	13% Cr
Spindel	stem	13% Cr
Dichtung	gasket	SS304+Graphit
Packung	packing	Graphit
Skt.-Schraube	hexagon screw	A193 B7

DN	Size	d	S	l1	l	w	h/open	U / Hub	kg
15	1/2"	10	21,8	9,7	79	100	160	2,5	2,5
20	3/4"	13	27,1	12,7	92	100	165	4	2,5
25	1"	18	33,8	12,7	111	120	200	5	4,4
40	1 1/2"	29	48,7	12,7	152	160	270	8	8,2
50	2"	36,5	61,1	15,9	160	180	285	6,5	11,0
65	2 1/2"	-	74,7	19,0	190	200	300	8	15,0